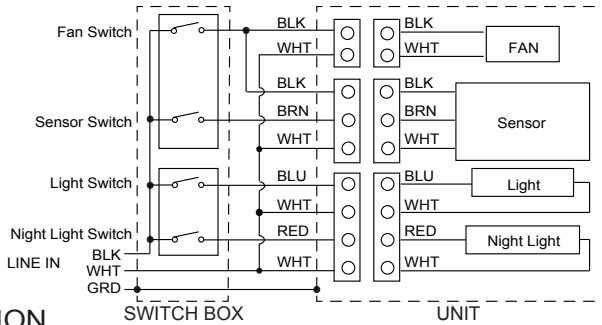


Fan with Lighted Motion and Humidity Sensor

CONNECT WIRING DIAGRAM



OPERATION

The control box, has three separate adjustments:

- (1) The time delay knob is adjustable from 5 to 60 minutes and will switch the fan to the low speed setting after the set period of time.
- (2) The humidity sensor knob set user-adjustable setpoint.
- (3) The toggle switch will adjust the lower fan speed setting from 30% to 90% of the full speed or off.

Motion sensor

Sensing distance will be impacted of the body's own situation (for example, the thinner people wearing the more remote sensing distance). Turn on the switch sensor system begins working, the fan run continuously at a pre-set lower level. When enter the gesture area fan will run at the certified airflow rate. When persons leave, the fan remains working until the delay time(5-60 min) has passed, and then the fan transferred to the pre-set lower level.

Installation distance: 7 to 9 feet.

Sensing range is within the cone angle of 90°.

Humidity Sensor

The humidity-sensing fan uses a sophisticated humidity sensor that responds to: (a) rapid to moderate (user-adjustable) increases in humidity or (b) humidity above a user-adjustable setpoint (50%-100% relative humidity). The humidity sensor may occasionally turn the fan to high speed when environmental conditions change. If the fan continuously responds to changing environmental conditions, "H" (means "humidity") adjustment may be required. This figure is factory-set for about 75% (Ambient temperature of 25 C).

Sensitivity Adjustment

The "H" has been factory set for most shower applications. However, if the fan is in a tub area or is being used for dampness control, the "H" may need to be increased toward maximum "+". If the control is responding too often to changing environmental conditions, movement toward less "-" "H" may be required. To adjust the "H":

1. Disconnect power at service entrance.
2. Through the grille, locate the slot marked "H".
3. Carefully rotate the "H" adjustment toward "+" or "-".
4. Turn on power and check operation by turning on the shower or other humidity source until the fan turns on.
5. Repeat above steps if necessary.

When the temperature changes, humidity sensor values will have deviation.

ASSEMBLY INSTRUCTIONS

1. Connect electrical wiring refer to "CONNECT WIRING DIAGRAM".

2. Put power box in the place showed right, fixed it with screws, and insert the plug from the box and light grille assembly into the suitable wire panel. Insert the plug from the sensor system into the power box.

3. Install Grille Assembly to the fan.

