

MODEL PCLPXP

LOW PROFILE CEILING MOUNT BATHROOM FANS

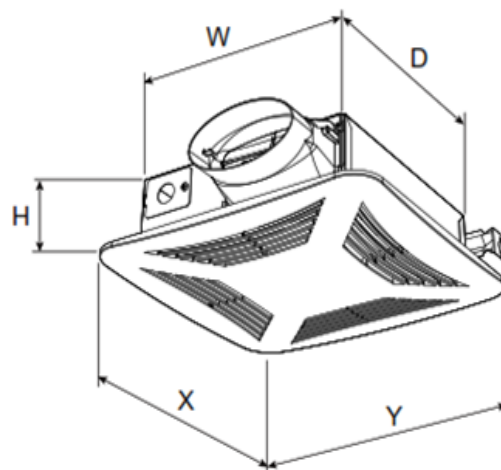
Features & Construction

- Low profile housing design for easy wall or ceiling installation
- Quiet operation 0.7 to 1.5 sones
- Totally enclosed condenser motor for long life
- Built-in backdraft damper
- Robust steel housing and decorative grille.
- 5-Year Warranty



Performance and Dimensions

	PCLP80XP	PCLP100XP
CFM @ 0.1/0.25" SP	80/66	110/86
Sones	0.7	1.5
Watts	17.5	24.7
Energy Efficiency (CFMs/Watts)	4.7	4.2
Amps	.2	.21
ENERGY STAR® Qualified	Yes	Yes
Duct Connector Diameter (in)	4" Oval*	
Grille Size (in)	13" x 14"	
Bathroom Size (up to ft ²)	80	100



Duct Dia.	Dimensions (in inches)					Weight (lbs)
	X	Y	W	D	H	
4" (Oval)	13	14	10-1/4	10-1/4	3-3/8	7

* Part PCLP4-3 4" Oval to 3" round adapter available at no charge

PCLPXP - LOW PROFILE PREMIUM CHOICE SERIES CONTROLS

Humidity Sensor (PCLPHSP)

Using a PCLPXP fan with S&P's humidity sensing control is a worry free solution to fighting excess humidity and possible mold problems. The sensor easily mounts inside the fan housing utilizing 1 pre-drilled hole and a standard receptacle. With the sensor at ceiling level it detects rapid increases in moisture where steam and humidity naturally rise, and automatically turns on the fan. The humidity sensor features an adjustable automatic time delay shut off to save worry and money. The humidity sensor is the perfect solution to "fit & forget" the bath fan, especially in high traffic bathrooms, kids' bathrooms, or households on-the-go that must leave the house without properly venting residual humidity. S&P's PCLPXP fan with optional Humidity Sensor helps prevent cosmetic and possible mold issues associated with excess moisture.

- Detects rapid rise in humidity
- Simple plug into receptacle in fan housing
- Adjustable Auto-shut off timer from 5 – 60 min
- Accessible sensitivity adjustment
- Humidity is sensed at the ceiling

Speed Control (PCLPSCP)

Using a PCLPXP fan with S&P's speed control is a simple solution for intermittent and continuous ventilation. The sensor easily mounts inside the fan housing utilizing 1 pre-drilled hole and a standard receptacle.

- Simple plug into receptacle in fan housing
- Adjustable speed control range of 30% to 100%
- Allows for continuous low speed satisfying ASHRAE 62.2 requirements with intermittent high speed operation via field supplied wall switch
- Allows for reduced speed intermittent operation

PCLPXP - LOW PROFILE PREMIUM CHOICE SERIES LED LIGHT KITS

LED Grille Lights

S&P offers Premium Choice Series Light Kits with LED lights for the PCLPXP models so you can choose a fan with lights now or later. This kit (PCLPLEDKP) fits the PCLP80XP and PCLP100XP. The LED lighted grilles come standard with an 11 Watt LED light and a 2 Watt LED night light setting.

PCLPXP - LOW PROFILE PREMIUM CHOICE SERIES RADIATION DAMPER AND LED LIGHTED RADIATION DAMPER KITS (PCRD & PCLPLEDKRDP)

S&P offers Low Profile Premium Choice Series solution radiation dampers to keep pace with the plan & spec industry safety standards. The PCRD and PCLPLEDKRDP radiation damper solutions offer standard and lighted 3-hour fire rated ceiling dampers. Both kit options allow for seamless mounting to the PCLP80/PCLP100 low profile fan housing for ceiling mount applications.

PCLPXP - CONTRACTOR PACKS

For simple installation, PCLP80XP and PCLP100XP are available as 4 packs with the fan housings ready for installation first, then after the drywall and painting are complete the motor and grilles are available to finish the job. The housing kit includes the housing and hanger bars, while the finish kit includes the motor plate, motor, wheel and grille.

Pack Part #	Description
PCLPHXP	PCLP80XP & PCLP100XP Contractor Pack Housing (4 pack)
PCLP80XPF	PCLP80XPF Contractor Pack Motor and Grille (4 pack)
PCLP100XPF	PCLP100 Contractor Pack Motor and Grille (4 pack)