



MODEL PCV

Value Series Models

PCV50



PCV80



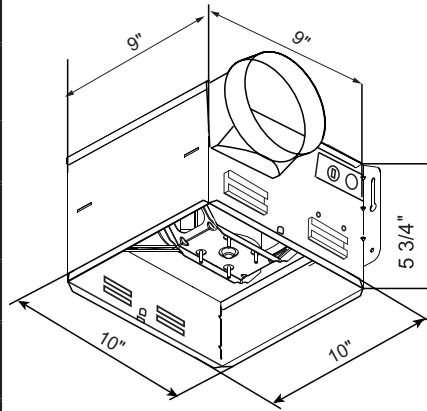
Features & Construction

- Quiet operation 1.5 to 2.5 Sones
- 50 and 80 CFM models
- 4" duct connector with built-in backdraft damper
- Robust steel housing
- Attractive, sturdy grille
- Thermally protected motor
- cETLus Listed
- Model PCV80 is ENERGY STAR® qualified
- HVI Certified
- CALGreen (Title 24 Compliant)

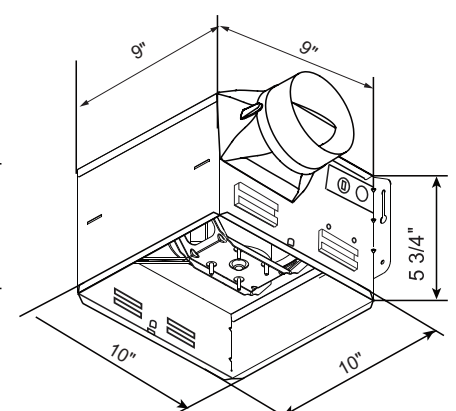
Performance and Dimensions

	PCV50	PCV80
HVI Certified CFM 0.1" SP	50	80
HVI Certified CFM 0.25" SP	-	60
Sones @ 0.1" SP	2.5	1.5
Voltage / Frequency	120V / 60Hz	
Energy Efficiency (CFM/Watts)	-	3.3
Watts @ 0.1" SP	48.9	23.8
Duct Connector Diameter (in)	4"	
Current	0.8A	0.2A
Grille Dimensions (w x d) (in)	11-13/16" x 11-7/16"	
Fan Dimensions (w x d x h) (in)	9" x 9" x 5-3/4"	
Avg. Ship Weight	7 lbs.	

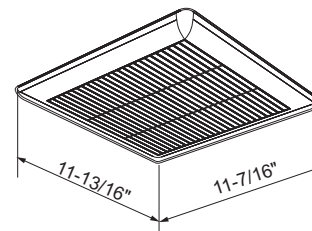
PCV50



PCV80



Standard Grille



ADDITIONAL PCV ACCESSORIES

Lighted Grille Kits

PCVLK

CFL Lighted Grille Kit

- 13 watt GU24 Bulb
- 2700K/900 lumens
- Simple plug-in receptacle in fan housing
- Can be installed with new fan or as an add-on later



PCVLEDK

LED Lighted Grille Kit

- 13 watt LED light
- 4100K/1100 lumens
- Simple plug-in receptacle in fan housing
- Can be installed with new fan or as an add-on later

Radiation Dampers & Kits

PCVRD

Ceiling Radiation Damper

- For use in 1, 2 and 3-hour rated floor-ceiling and roof-ceiling constructions
- ETL Listed (UL555C standard)
- Ceramic fiber with fiberglass cover
- Roll-formed frame 22 ga. galvanized steel

PCVLEDKRD

Ceiling Radiation Damper Kit with PCVLEDK

LED Kit Features:

- 13 watt LED light
- 4100K/1100 lumens
- Simple plug-in receptacle in fan housing
- Can be installed with new fan or as an add-on later

Radiation Damper Specifications:

- For use in 1, 2 and 3-hour rated floor-ceiling and roof-ceiling constructions
- ETL Listed (UL555C standard)
- Ceramic fiber with fiberglass cover
- Roll-formed frame 22 ga. galvanized steel

Notes:

- *Grilles and radiation damper kits noted above are compatible with models PC50X, PCV50, and PCV80.*
- *Humidity Sensor, Plug-&-Play module (compatible with PCV50 & PCV80)*
- *Speed Control Plug-&-Play module (compatible with PCV80)*