



PCD110XP

(Ceiling Mounted Exhaust Fan with DC Motor)

Features:

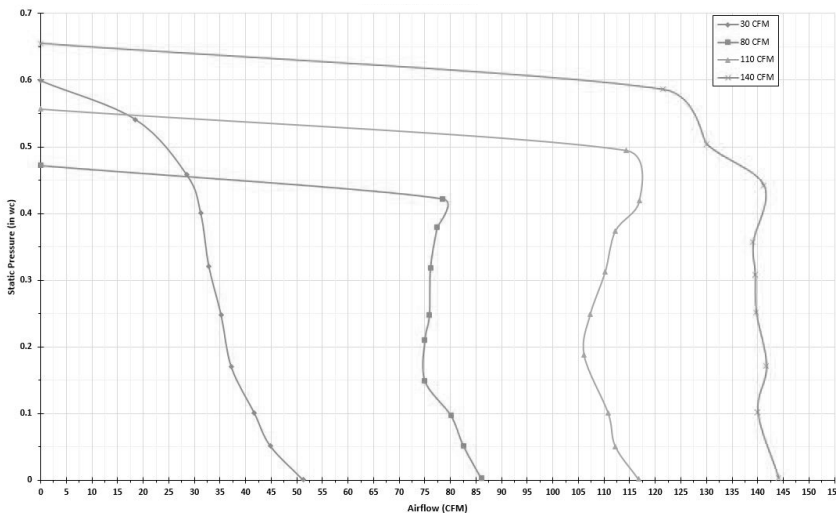
- Speed control, humidity sensor, motion sensor functionality built in (can be disabled)
- Continuous low speed operation (optional) with auto boost to high speed based on humidity, motion, or manual override
- AutoFlo™ feature automatically senses real world static pressure and maintains CFM up to 0.5 in wc
- 6" duct connector with back draft damper
- Galvanized steel construction
- Extremely quiet (0.3 Sones max) operation
- Energy efficient (35 watts max)



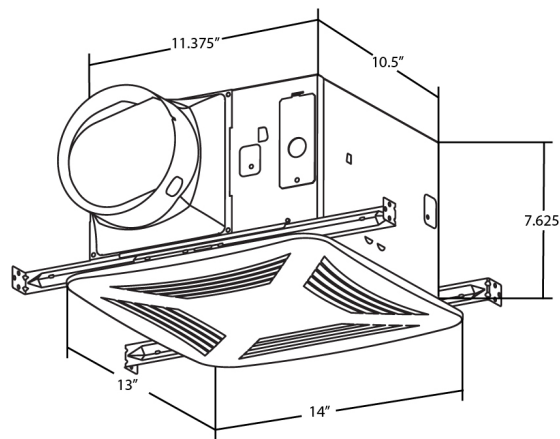
PERFORMANCE (HVI Certified)

Duct Size (IN)	Speed	Airflow (CFM)			Sones @ 0.1" SP	Frequency (Hz)	Voltage (V)	Max Power (Watts)	Efficacy (CFM/Watts)*	Max Current (Amps)
		0.1	0.25	0.1						
6	Toggle	30	25	<0.3	60	120	35	10.4	0.6	
		80	76	<0.3				14.5		
		110	106	<0.3				15.1		
		140	139	0.3				12.9		

* as tested values



DIMENSIONS:



All specifications are subject to change without notice unless approved in submittal by S&P.
PCD110XP SUBMITTAL 01.2021