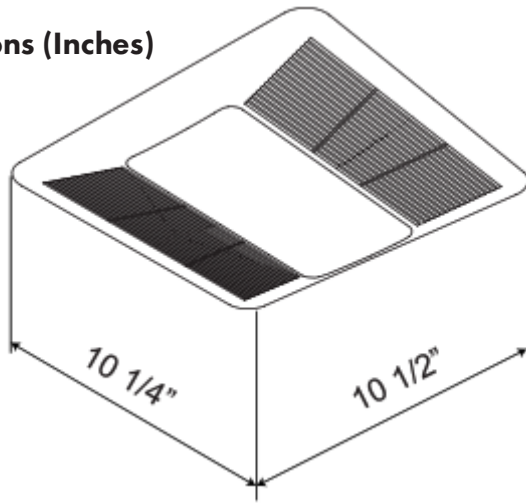




PCVLEDKP Premium Choice Value Series LED Light Kit



Dimensions (Inches)



The PCVLEDLKP is compatible with the following PC model:
PC50XP

Features:

- 13 watt LED light
- 4100K/1100 lumens
- Simple plug-in receptacle in fan housing

The chart below indicates which plug-&-play or other PC accessories can be used with the PCVLEDKP:

Model	PCHSP	PCSCP	PCVRD
PCVLEDKP	✓	✓	✓